



# NetScaler BLX 13.1

## Contents

<b>About NetScaler BLX</b>	<b>2</b>
<b>General architecture</b>	<b>3</b>
<b>Supported NetScaler features</b>	<b>5</b>
<b>NetScaler BLX licensing</b>	<b>6</b>
<b>System requirements</b>	<b>7</b>
<b>Deploy NetScaler BLX</b>	<b>11</b>
<b>Download the NetScaler BLX package on the Linux host</b>	<b>12</b>
<b>Install NetScaler BLX on a Debian-based Linux host</b>	<b>12</b>
<b>Install NetScaler BLX on an RPM-based Linux host</b>	<b>14</b>
<b>Configure NetScaler BLX</b>	<b>16</b>
<b>NetScaler BLX configuration file</b>	<b>16</b>
<b>Configure NetScaler BLX in dedicated mode</b>	<b>18</b>
<b>Configure compressed core dumps for NetScaler BLX</b>	<b>21</b>
<b>Configure NetScaler BLX managed host</b>	<b>23</b>
<b>Configure nsdrvd driver for NetScaler BLX in dedicated mode without DPDK support</b>	<b>26</b>
<b>Start NetScaler BLX</b>	<b>28</b>
<b>Access NetScaler BLX and configure NetScaler features</b>	<b>30</b>
<b>Set up NetScaler BLX cluster</b>	<b>33</b>
<b>Upgrade and downgrade</b>	<b>35</b>
<b>FAQs</b>	<b>37</b>
<b>Troubleshooting</b>	<b>40</b>
<b>NetScaler BLX limitations and usage guidelines</b>	<b>41</b>

## About NetScaler BLX

February 1, 2024

NetScaler BLX is one of the software form factors of NetScaler. It can run natively on bare-metal Linux on commercial off-the-shelf servers (COTS).

NetScaler is an application delivery controller that does application-specific traffic analysis to intelligently distribute, optimize, and secure Layer 4-Layer 7 (L4–L7) network traffic for web applications. For example, NetScaler load balances decisions on individual HTTP requests instead of long-lived TCP connections. For more information, see [Understanding NetScaler](#).

### What is the difference between NetScaler BLX and other software form factors?

BLX, CPX, and VPX are software form factors of NetScaler.

- BLX is a lightweight software package that runs natively on Linux systems. BLX provides simplicity with no hypervisor or container overhead for better performance. BLX runs as a Linux process on your hardware of choice.
- CPX is a containerized version of NetScaler, which must run in a container.
- VPX is a virtual appliance and must run on a hypervisor installed on the server.

### Why NetScaler BLX?

The following are the benefits of using BLX:

- **Cloud-ready** - BLX provides day-zero support for running on the cloud. It does not require any certifications to run on the cloud because it runs as a software application on Linux virtual machines provisioned on the cloud.
- **Easy-management** - You can use the standard tools of the Linux operating system to monitor and manage BLX. You can also easily plug in BLX to an existing orchestration setup.
- **Seamless third-party tools integration** - You can seamlessly integrate open-source tools supported for Linux environments with BLX. There is no need to develop separate plug-ins for each integration.
- **Coexistence of other applications** - BLX runs as a software application. Other Linux applications can also run on the same host.
- **DPDK support** - BLX supports Data Plane Development Kit (DPDK) integration for better performance. It uses the DPDK open-source library to improve performance and overcome the Linux kernel bottleneck in packet processing.

## General architecture

February 1, 2024

NetScaler BLX is a software form factor of NetScaler and provides the same functionality as other form factors. It runs as a user space application on a Linux host.

BLX uses the Linux drivers for Rx/Tx of packets and for managing the NIC ports. Virtual Ethernet (veths) interfaces `blx0` and `blx1`, created during the boot-up phase, are used for communication between the Linux host and BLX. For example, BLX uses veths to send log information to the syslog daemon on a Linux Host.

The network mode of BLX defines whether the NIC ports of the Linux host are shared with other Linux applications running on the host. You can configure BLX to run on one of the following network modes:

- **Dedicated mode** - The NIC ports of the Linux host are dedicated to BLX and are not shared with other Linux applications.
- **Shared mode** - The NIC ports of the Linux host are shared with other Linux applications.

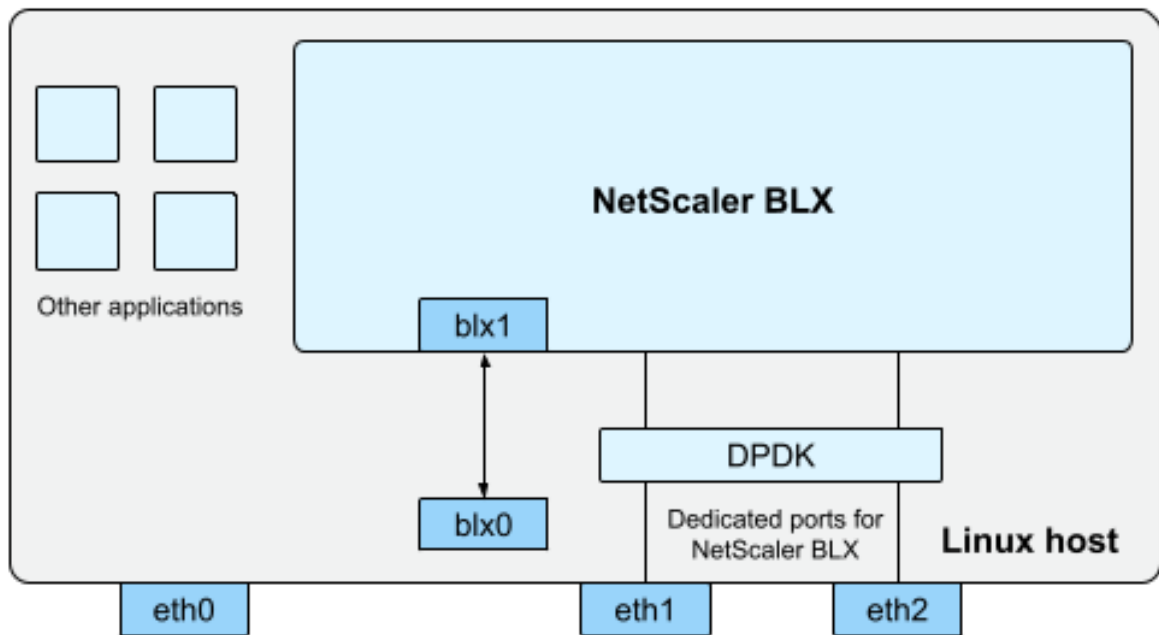
### NetScaler BLX in dedicated mode

In dedicated mode, the NIC ports of the Linux host specified in the `blx.conf` (boot-up config file of BLX) file are dedicated to BLX. These NIC ports are not shared with other applications running on the host. Only BLX can see the dedicated NIC ports.

The IP addressing scheme in dedicated mode is similar to a traditional NetScaler. BLX can have different IP addresses for NetScaler IP (NSIP), Virtual server IP (VIP), and Subnet IP (SNIP).

BLX receives the packets from the external network, processes the received packets, and responds directly through the configured dedicated Linux NIC ports. It has a full-fledged TCP/IP stack to process the packets, bypassing the TCP/IP stack of the Linux kernel. BLX interacts directly with the Linux kernel driver to pick the raw packets from the NIC ports.

Although BLX bypasses the network stack of the Linux kernel, there is still an overhead in transferring packets between Linux kernel memory and user space memory. This overhead affects the overall performance of packet processing. We recommend using the Data Plane Development Kit (DPDK) compatible NICs for high packet processing performance. For the list of DPDK-compatible NICs supported by BLX, see [Hardware requirements of Linux host](#).



**blx0 and blx1** - veth pair NIC ports created for communication between BLX and the Linux host  
**eth0, eth1, and eth2** - NIC ports available on the Linux host

DPDK is a set of open-source Linux libraries and network interface controllers used for better network performance. For more information on DPDK, see the official DPDK website at <https://www.dpdk.org/>.

DPDK helps to bypass the kernel memory and delivers the packets directly to the user space memory for processing. DPDK combined with the Linux UIO module, allows BLX to receive and transmit packets without involving the Linux kernel overhead of copying packets from the kernel memory to the user space memory. Once memory is allocated, DPDK manages its buffer to achieve better performance.

**Note:**

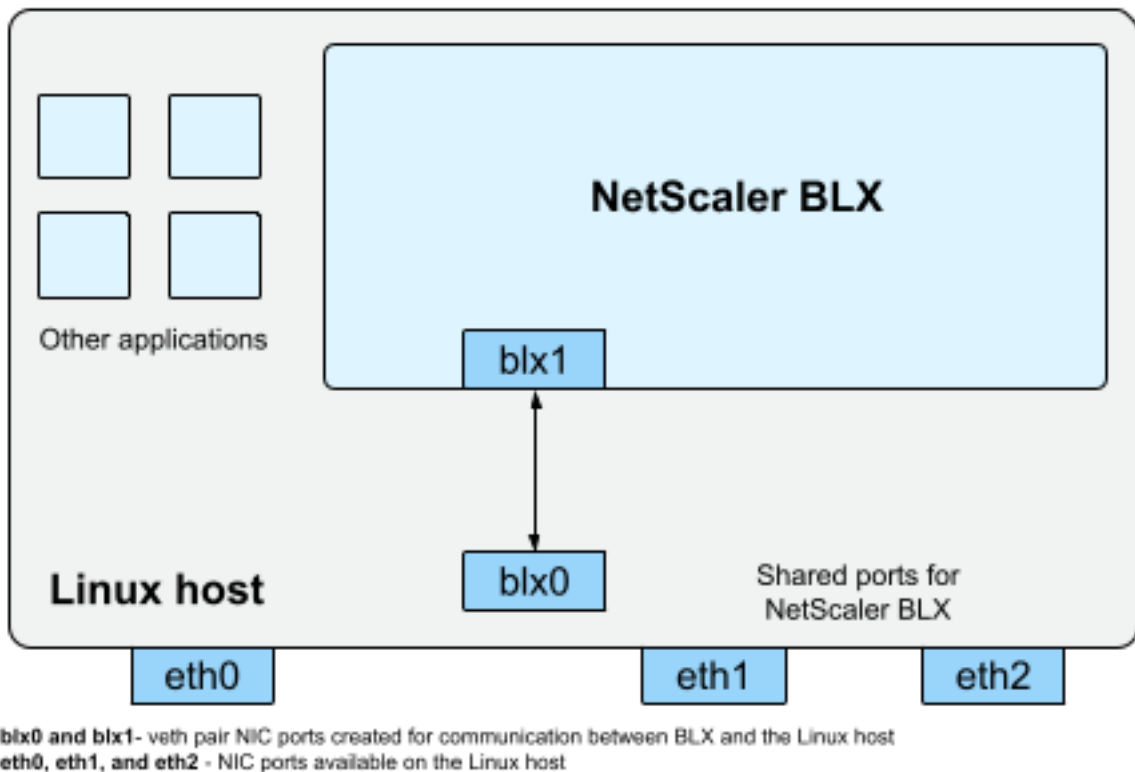
BLX might start in a dedicated mode without DPDK support if one of the following conditions is met.

- BLX does not support the dedicated DPDK-compatible NIC ports.
- DPDK does not support the dedicated NIC ports.

**NetScaler BLX in shared mode**

In shared mode, the NIC ports of the Linux host are shared with other Linux applications to receive and transmit the packets. BLX is auto-assigned with the IP address of 192.0.0.1/24. This IP address is used for management and data traffic. All the NetScaler-owned IP addresses (for example, NSIP, SNIP, and

VIP address) have the same IP address of 192.0.0.1 but with different port numbers. In other words, this single IP address (192.0.0.1) uses different port numbers to function as the NSIP, SNIP, and VIPs.



Because host Linux NIC ports are shared between BLX and other Linux applications, an IP table rule is added to NAT. This IP table rule is used to forward the traffic received on the host to BLX for further processing.

The Linux host translates the destination IP address of the received packet to the IP address (192.0.0.1) of BLX. BLX receives the packets through `blx0` and `blx1` virtual interfaces.

BLX processes the received packets and sends them to the Linux kernel through `blx1` and `blx0` virtual interfaces. The Linux host does NAT on these packets using the BLX IP NAT table and then sends them to the destination through the Linux NIC ports.

**Note:**

We do not recommend configuring BLX in shared mode for production setups.

## Supported NetScaler features

October 15, 2024

NetScaler BLX is a software form factor of NetScaler and provides the same functionality as other NetScaler form factors.

NetScaler features can be configured independently or in combinations to address specific requirements. Although some features fit more than one category, the numerous NetScaler features can generally be categorized as follows:

- [Application switching and traffic management features](#)
- [Application acceleration features](#)
- [Application security and firewall features](#)
- [Application visibility feature](#)

**Note:**

- For feature limitations specific to BLX, see [BLX Limitations and usage guidelines](#).
- Starting from NetScaler release 13.1 build 49.x, NetScaler BLX supports cluster in INC mode. For more information, see [Configuring layer 3 clustering](#)
- For the list of features that are not supported in BLX, see [Unsupported NetScaler features in BLX](#).

## NetScaler BLX licensing

February 1, 2024

NetScaler offers a wide range of product editions and licensing models to meet your organization's requirements.

NetScaler BLX supports the following types of licenses.

- **Express license** - By default, BLX comes with an Express license and does not require a license file. For more information, see [NetScaler express license](#).
- **Fixed bandwidth subscription** - Fixed bandwidth subscription is a term-based license and enforces a maximum allowed throughput that BLX is entitled to. For more information, see [NetScaler fixed bandwidth license](#).
- **NetScaler pooled capacity license** - Pooled capacity license allows you to share bandwidth or instance licenses across different form factors of NetScaler. For more information, see [NetScaler pooled capacity](#).

## Get the Host ID of NetScaler BLX

You need the Host ID of BLX for fixed throughput and NetScaler pooled capacity licenses. To get the Host ID of BLX, run the following command on the NetScaler CLI.

```
1 show hardware
```

Sample output:

```
> show hardware
Platform: ADC BLX 450091
Manufactured on: 11/9/23
CPU: 2199MHZ
Host Id:
Serial no:
Encoded serial no:
Netscaler UUID:
Done
>
```

## Install a new license

You can either use the automatic or manual method to install a license in BLX. For more information about installing licenses in BLX, see the [NetScaler licensing guide](#).

## System requirements

August 20, 2024

Before you deploy NetScaler BLX, review the following requirements:

- Supported Linux distributions
- Hardware requirements of Linux host
- Open source packages

### Supported Linux distributions

---

Linux distribution	NetScaler BLX 14.1	NetScaler BLX 13.1	NetScaler BLX 13.0
Red Hat Enterprise Linux (RHEL) 9.x	Yes	Yes	Yes

---



Linux distribution	NetScaler BLX 14.1	NetScaler BLX 13.1	NetScaler BLX 13.0
RHEL 8.x	Yes	Yes	Yes
RHEL 7.5 to 7.9	Yes	Yes	Yes
CentOS 8.x	Yes	Yes	Yes
CentOS 7.5 to 7.9	Yes	Yes	Yes
Oracle Linux 8.x	Yes	Yes	Yes
Oracle Linux 7.5 to 7.9	Yes	Yes	Yes
Ubuntu 22.04	Yes (Build 12.30 or later)	No	No
Ubuntu 20.04	Yes	Yes	Yes
Ubuntu 18.04	Yes	Yes	Yes
Oracle cloud Linux on Oracle Cloud Infrastructure (OCI)	Yes	Yes	Yes
Amazon Linux 2	Yes	Yes	Yes

**Note:**

- On OCI, BLX with DPDK is not supported. You can run BLX in a dedicated mode without DPDK support.
- On Amazon Linux, BLX with DPDK is supported only with an Elastic Network Adapter (ENA).

**Hardware requirements of Linux host**

Category	NetScaler BLX with DPDK support	NetScaler BLX
<b>Processor</b>	Intel or AMD x86-64 (64-bit) processor	Intel or AMD x86-64 (64-bit) processor
<b>Minimum RAM</b>	2 GB	2 GB
<b>Drivers</b>	<p><b>Intel ports:</b> <i>igb</i>, <i>ixgbe</i>, and <i>i40e</i></p> <p><b>Intel port Virtual Function ports:</b> <i>iavf</i></p>	All Linux supported drivers

Category	NetScaler BLX with DPDK support	NetScaler BLX
	<p><b>Mellanox ConnectX-5 ports:</b>  <a href="#">mlx5_core</a></p> <p><b>Amazon EC2 Elastic Network Adapter ports:</b> <a href="#">ena</a></p> <p><b>VMware virtualization platform network adaptor ports:</b> <a href="#">vmxnet3</a></p>	

**Note:**

- BLX supports a maximum of nine NIC ports (DPDK NIC ports, non-DPDK NIC ports, or a combination of both).
- The Linux host must meet the minimum system requirements for installing DPDK. For more information about the minimum requirements of DPDK, see the [Official DPDK Documentation](#).

**Open source packages**

The following dependencies are required on the Linux host.

- Auto-installed dependencies
- Manually installed dependencies

**Auto-installed dependencies**

When you install BLX, the following dependencies are automatically installed on the Linux host from the standard public repository.

RPM-based Linux host	Debian-based Linux host
<a href="#">crontabs</a>	<a href="#">build-essential:amd64</a>
<a href="#">ethtool</a>	<a href="#">coreutils</a>
<a href="#">gcc</a>	<a href="#">cpanminus:amd64</a>
<a href="#">glibc(x86-32)</a> (version 2.17 or later)	<a href="#">cron:amd64</a>
<a href="#">glibc(x86-64)</a> (version 2.17–196 or later)	<a href="#">ethtool</a>

RPM-based Linux host	Debian-based Linux host
Requbsd	gcc:amd64
ibdb(x86-64) (version 5.3–21 or later)	lib32gcc1:amd64 (version 4.9 or later)
libgcc(x86-32) (version 4.8.5 or later)	lib32stdc++6:amd64 (version 4.8.4 or later)
libstdc++(x86-32) (version 4.8.5 or later)	lib32z1:amd64 (version 1.2.8 or later)
libstdc++(x86-64) (version 4.8.5 or later)	libbsd0 (version 0.8.2 or later)
make	libc6 (version 2.17 or later)
openssl-devel	libc6:amd64 (version 2.19 or later)
pciutils	libc6:i386 (version 2.19 or later)
perl	libc6-i386:amd64 (version 2.19 or later)
perl-App-cpanminus	libdb5.3:amd64 (version 5.3.28 or later)
perl-core	libhttp-message-perl:amd64
perl-CPAN	libio-socket-ssl-perl:amd64
perl-IO-Socket-SSL	liblwp-protocol-https-perl:amd64
perl-libwww-perl	libnuma1 (version 2.0.11 or later)
perl-LWP-Protocol-https	libssl-dev:amd64
perl-Sys-Syslog(x86-64) (version 0.33 or later)	libstdc++6 (version 4.8.5 or later)
perl(x86-64) (version 5.16.3 or later)	libswitch-perl:amd64
perl-XML-Writer	libwww-perl:amd64
procps-ng	libxml-parser-lite-perl:amd64
python3	libxml-writer-perl:amd64
rsyslog	perl:amd64 (version 5.16.3 or later)
sqlite-devel(x86-64) (version 3.7.17 or later)	python3
systemd	rsyslog
tcpdump(x86-64) (version 4.9.2 or later)	sqlite3:amd64 (version 3.11.0 or later)
zlib(x86-32) (version 1.2.7 or later)	systemd
	tcpdump:amd64 (version 4.9.2 or later)

## Manually installed dependencies

The following dependencies must be installed manually on the Linux host from the standard public repository.

- **For RPM-based Linux systems, install Extra Packages for Enterprise Linux (EPEL) repository**

For information about installing the EPEL repository, see [EPEL](#).

- **For Debian based Linux systems running Ubuntu version 18 or later, install `libc6:i386` repository**

Run the following command on the Linux shell to install the package:

```
- dpkg --add-architecture i386
- apt update
- apt install libc6:i386
```

- **For Amazon Linux 2 on AWS, install EPEL repository**

Run the following three commands on the Amazon Linux 2 shell to install EPEL repository:

```
1. amazon-linux-extras install epel -y
2. yum-config-manager --enable epel
3. yum update
```

For more information about installing the EPEL repository, see the [AWS official documentation](#).

## Deploy NetScaler BLX

February 1, 2024

Deploying NetScaler BLX on a Linux host consists of the following steps.

1. [Download the BLX package on the Linux host.](#)
2. Install BLX on the Linux host.
  - [Install BLX on a Debian-based Linux host.](#)
  - [Install BLX on an RPM-based Linux host.](#)

## Download the NetScaler BLX package on the Linux host

February 2, 2024

NetScaler BLX installation packages are hosted on the downloads page. The installation package consists of NetScaler feature packages and a package for DPDK support.

The BLX installation package is a TAR file and has the following naming convention:

- For a Debian-based package, `blx-deb-release number-build-number.tar.gz`.
- For a RPM-based package, `blx-rpm-release number-build-number.tar.gz`.

### Example:

`blx-deb-13.1-51.15.tar.gz`

`blx-rpm-13.1-51.15.tar.gz`

## Download NetScaler BLX

1. Open the [Downloads](#) page in a web browser.
2. On the Downloads page, expand the **NetScaler BLX Release** that you want to download.
3. Click the NetScaler BLX build link.
4. Click **Download File** to download the NetScaler BLX build package.

### Note:

The checksum is provided to ensure the downloaded build package matches with the actual package which is hosted on the website. Checksum is an important check to ensure you have the correct bits.

## Next Step

- [Install NetScaler BLX on a Debian-based Linux host](#)
- [Install NetScaler BLX on an RPM-based Linux host](#)

## Install NetScaler BLX on a Debian-based Linux host

February 2, 2024

## Before you begin

- Ensure that the NetScaler BLX package is available on the Linux host. For information on how to download BLX, see [Download the BLX package on the Linux host](#).
- Ensure that the Linux host has internet access to install the necessary dependencies. For more information about auto-installed dependencies, see [Auto-installed dependencies for BLX](#).
- Ensure that you have root or sudo privileges to install BLX on the Linux host.

## Install NetScaler BLX

1. Untar the BLX installation package and then change the working directory to the extracted BLX installation directory.

```
1 tar -xvzf blx-deb-<release number>-<build-number>.tar.gz
2
3 cd <path to the extracted BLX installation directory>
```

### Sample output:

The following sample output shows that the BLX installation package `blx-deb-13.1-51.15.tar.gz` downloaded to the `/var/blxinstall` directory of the Linux host is untared. Then, the working directory is changed to the extracted directory `blx-deb-13.1-51.15`.

```
1 # cd /var/blxinstall
2
3 # tar -xvzf blx-deb-13.1-51.15.tar.gz
4
5 # cd blx-deb-13.1-51.15
6
7 # pwd
8 /var/blxinstall/blx-deb-13.1-51.15
```

2. Run the following command to install BLX.

```
1 apt install ./blx*.deb
```

### Note:

Installation of BLX might fail on a Debian-based Linux host, running Ubuntu version 18 or later, with the following dependency error:

```
The following packages have unmet dependencies: blx-core-libs:i386 : PreDepends: libc6:i386 (>= 2.19)but it is not installable
```

**Workaround:** Run the following commands in the Linux host CLI before installing BLX:

- `dpkg --add-architecture i386`
- `apt update`
- `apt install libc6:i386`

3. Check the status of BLX by running the following command:

```
1 systemctl status blx
```

By default, BLX is in an inactive state.

#### To uninstall the BLX from the Linux host:

- Run the `apt remove blx` command on the Linux host to uninstall BLX and keep the BLX configuration file.
- Run the `apt purge blx` command on the Linux host to uninstall BLX and remove the BLX configuration file.

#### Note:

The Linux host might display warning messages that some BLX-related system files are not removed. But, all the BLX files are removed when you run the `apt purge blx` command.

#### Next step

- [Configure BLX](#)

## Install NetScaler BLX on an RPM-based Linux host

February 2, 2024

#### Before you begin

- Ensure that the NetScaler BLX package is available on the Linux host. For information on how to download BLX, see [Download the BLX package on the Linux host](#).
- Ensure that the Linux host has internet access to install the necessary dependencies. For more information about auto-installed dependencies, see [Auto-installed dependencies for BLX](#).
- Ensure that you have root or sudo privileges to install BLX on the Linux host.

## Install NetScaler BLX

1. Untar the BLX installation package and then change the working directory to the extracted BLX installation directory.

```
1 tar -xvzf blx-rpm-<release number>-<build-number>.tar.gz
2
3 cd <path to the extracted BLX installation directory>
```

### Sample output:

The following sample output shows that a BLX installation package `blx-rpm-13.1-51.15.tar.gz`, which is already downloaded to the `/var/blxinstall` directory of the Linux host, is untared. Then, the working directory is changed to the extracted directory `blx-rpm-13.1-51.15`.

```
1 # cd /var/blxinstall
2
3 # tar -xvzf blx-rpm-13.1-51.15.tar.gz
4
5 # cd blx-rpm-13.1-51.15
6
7 # pwd
8 /var/blxinstall/blx-rpm-13.1-51.15
```

2. For Redhat-based Linux systems, install the Extra Packages for Enterprise Linux (EPEL). For more information on how to install EPEL, see [EPEL Documentation](#).
3. Run the following command to install BLX.

```
1 yum install ./blx*.rpm
```

4. Check the status of BLX by running the following command:

```
1 systemctl status blx
```

By default, BLX is in an inactive state.

### To uninstall the BLX from the Linux host:

Run the `yum remove blx` command on the Linux host to uninstall BLX.

### Next step

- [Configure NetScaler BLX](#)



## Configure NetScaler BLX

February 1, 2024

NetScaler BLX can be configured in dedicated or shared network mode. Network mode of BLX defines whether the NIC ports of the Linux host are shared with other Linux applications running on the host.

- **Dedicated network mode** - The NIC ports of the Linux host that are dedicated to BLX are not shared with other applications running on the Linux host. For information about configuring BLX in dedicated mode, see [Configure BLX in dedicated mode](#).
- **Shared network mode** - The NIC ports of the Linux host are shared with other Linux applications running on the Linux host. By default, BLX starts in shared mode if you do not configure BLX in dedicated mode.

**Note:**

We do not recommend configuring BLX in shared mode for production setups.

## NetScaler BLX configuration file

February 1, 2024

A configuration file (`blx.conf`) is added to the Linux host as part of the NetScaler BLX installation. The `blx.conf` file has different parameters, which you can use to configure BLX.

By default, all the parameters are commented (prefixed with # symbol) in the BLX configuration file. You can uncomment (remove the prefix #) the parameter and set it to a custom value to enable a certain parameter.

The parameters in the `blx.conf` file are listed in the following table:

Parameter	Possible values	Default	Description
<code>worker-processes</code>	1 to 28	1	Number of worker processes to be started.

Parameter	Possible values	Default	Description
<code>cpu-yield</code>	yes, enable, or 1	Disabled	Configures CPU Yielding. When you enable CPU-yield, NSPPE yields CPU for other processes.
<code>core-dumps</code>	yes, enable, or 1	Disabled	Configures core dumps for BLX.
<code>syslog</code>	yes, enable, or 1	Disabled	Enables syslog to listen on port 514/UDP of the Linux host. BLX sends logs to syslog listening on port 514/UDP of the Linux host.
<code>ipaddress</code>	IP address	BLX listens on all the IP addresses configured on the Linux host	Sets the NSIP address for BLX in dedicated mode.
<code>blx-managed-host</code>	1	Disabled	Configures SSH access to the Linux host through BLX.
<code>host-ipaddress</code>	IP address	None	Sets the IP address on which you want SSH access to the Linux host through BLX. <b>Note:</b> You must use this parameter along with the <code>blx-managed-host</code> parameter.
<code>total-hugepage-mem</code>	Minimum: 1G and Maximum: As available on the Linux host	1G	Configures DPDK Huge page memory for BLX.
<code>interfaces</code>	NIC port names as shown on the Linux host CLI	BLX shares the host traffic with all the interfaces	The specified NIC ports of the Linux host are dedicated to BLX.
<b>default</b>	IP address	None	Sets the default route for the dedicated interfaces.

Parameter	Possible values	Default	Description
<code>cli-cmds</code>	NetScaler CLI commands	None	List the NetScaler CLI commands that you want to run when the BLX starts.
<code>nsdrv</code>	1, 2, or 3	Disabled	Configures the <code>nsdrv</code> driver to improve packet processing performance.

---

**Note:**

If you want to disable a parameter, comment the parameter with `#` in the `blx.conf` file and restart BLX using the `systemctl restart blx` command. The changes are applied after the BLX reboots.

## Configure NetScaler BLX in dedicated mode

February 1, 2024

In dedicated mode, the NIC ports of the Linux host that are dedicated to NetScaler BLX are not shared with other applications on the Linux host.

We recommend using the DPDK compatible NICs for high packet processing performance. For the list of DPDK-compatible NICs supported by BLX, see [Hardware requirements of Linux host](#).

You can configure BLX in dedicated mode by specifying the following parameters in the `blx.conf` file:

- `worker-processes` - Number of worker processes to be started.
- `interfaces` - NIC ports of the Linux host that are dedicated to BLX.
- `ipaddress` - NSIP address for BLX in dedicated mode.
- `default` - Default route for BLX.

If the NIC ports specified in the `interfaces` parameter are DPDK compatible and supported by BLX, it automatically binds the NIC ports to the DPDK VFIO module. If the NIC ports are not DPDK compatible, the NIC ports are added as non-DPDK ports. After you start BLX, all the ports specified in the `interfaces` parameter are added as dedicated ports to BLX.

**Note:**

BLX supports only one type of DPDK NIC port at a time. For example, either all Mellanox ports or all Intel ports.

**Prerequisites**

- Ensure that IOMMU support is enabled on the Linux host. For information on how to enable IOMMU, refer to the hardware documentation of the Linux host.
- For DPDK compatible Mellanox ports supported by BLX, ensure that the Mellanox OpenFabrics Enterprise Distribution (OFED) package is installed on the Linux host. For information on how to install Mellanox OFED package, see the [OFED documentation](#).

**Configure NetScaler BLX in dedicated mode**

You must use the Linux host CLI to configure BLX in dedicated mode.

1. Open the `blx.conf` file by running the following command:

**Note:**

You can use any text editor to edit the `blx.conf` file.

```
1 nano /etc/blx/blx.conf
```

2. Uncomment the `worker-processes` parameter and specify the number of packet engines for BLX.

**Note:**

For VMXNET3 DPDK ports supported by BLX, you must specify the number of worker processes in the power of 2 ( $2^n$ ). For example, 1, 2, 4, 8, and so on.

```
1 blx-system-config
2 {
3
4     ...
5     worker-processes: <number of worker processes>
6     ...
7 }
```

3. Uncomment the `interfaces` parameter and specify the NIC ports of the Linux host that you want to dedicate to BLX.

**Notes:**

- You must specify the port names as shown on the Linux host CLI separated by space.
- **For AMD processor**, you must specify all the DPDK NIC ports of one or more IOMMU groups. If you do not specify all the NIC ports of an IOMMU group, the DPDK compatible NIC ports of that IOMMU group are added as non-DPDK dedicated ports to BLX.

```

1 blx-system-config
2 {
3
4     ...
5     interfaces: <interface1 interface2>
6     ...
7 }
```

4. Uncomment the `ipaddress` parameter and specify the NSIP address for BLX.

```

1 blx-system-config
2 {
3
4     ...
5     ipaddress: <IP address>
6     ...
7 }
```

5. (Optional) Uncomment the `total-hugepage-mem` parameter and specify the memory to be allocated for DPDK Huge pages. For more information on DPDK Huge pages, see the [DPDK documentation](#).

**Note:**

The total size of huge pages can be specified in megabytes (MB or M) or gigabytes (GB or G). For example, 1024MB, 1024M, 1GB, and 1G.

```

1 blx-system-config
2 {
3
4     ...
5     total-hugepage-mem: <memory size>
6     ...
7 }
```

6. Uncomment the `default` parameter and specify the default route for the dedicated interfaces.

```

1 static-routes
2 {
3
4     ...
5     default <gateway IP address>
6     ...
```

```
7 }
```

7. Save the `blx.conf` file.

### Next step

- [Start BLX](#)

## Configure compressed core dumps for NetScaler BLX

February 1, 2024

You can enable core dumps for NetScaler BLX using the `core-dumps` parameter in the `blx.conf` file.

The core dumps are generated according to the pattern in the `core_pattern` file on the Linux host:

```
1 /proc/sys/kernel/core_pattern
```

If no pattern is present in the `core_pattern` file, the following pattern is added to the file for core dumps:

```
1 /var/core/core-%e-sig%s-user%u-group%g-pid%p-time%t
```

### Enable core dumps using the `blx.conf` file

You must use the Linux host CLI to enable the core dumps.

1. Open the `blx.conf` file by running the following command:

**Note:**

You can use any text editor to edit the `blx.conf` file.

```
1 nano /etc/blx/blx.conf
```

2. Uncomment the `core-dumps` parameter and set it to `1`, `enable`, or `yes`.

```
1 blx-system-config
2 {
3
4     ...
```

```
5     core-dumps: yes
6     ...
7 }
```

3. Save the `blx.conf` file.
4. Restart BLX.

```
1 systemctl restart blx
```

After the BLX restarts, core dumps are enabled for BLX.

### Disable core dumps using the `blx.conf` file

You must use the Linux host CLI to disable the core dumps.

**Note:**

If you enable core dumps on the Linux host, the core dumps are generated for BLX even if the `core-dumps` parameter is commented (disabled) in the `blx.conf` file.

1. Open the `blx.conf` file by running the following command:

**Note:**

You can use any text editor to edit the `blx.conf` file.

```
1 nano /etc/blx/blx.conf
```

2. Comment the `core-dumps` parameter.

```
1 blx-system-config
2 {
3
4     ...
5     # core-dumps: yes
6     ...
7 }
```

3. Save the `blx.conf` file.
4. Restart BLX.

```
1 systemctl restart blx
```

After the BLX restarts, core dumps are disabled for BLX.

## Configure NetScaler BLX managed host

March 25, 2024

You can use the NetScaler BLX managed host feature to manage the Linux host through BLX. This feature automatically adds all the NIC ports of the Linux host as dedicated ports to BLX. If the ports are DPDK compatible and supported by BLX, they are bound to the DPDK VFIO module on the Linux host.

BLX selects one of the dedicated NIC ports with the default route that has the highest precedence on the Linux host. The IP address and default route of the selected port is added as the NSIP address and default route for BLX.

If the default route is not configured for the NIC ports on the Linux host, BLX randomly selects a dedicated port assigned with an IP address. The IP address of the selected port is added as the NSIP address for BLX.

By default, SSH access to the Linux host is enabled on port 9022 of the NSIP address.

### Notes:

- BLX does not automatically add a Linux host bond interface (link aggregation channels), but it adds all the members of the bond interfaces to BLX.
- If multiple IP addresses are assigned for the default port, BLX displays an error message on the CLI to set the NSIP address manually in the `blx.conf` file.
- When you restart BLX, all the active SSH sessions to the Linux host are closed. To restore the connection, you must retry connecting to the host.
- If you manually set the NSIP address in the `blx.conf` file, the default route available on the Linux host is not automatically added to BLX.

## Enable NetScaler BLX managed host with SSH access to the Linux host

You must use the Linux host CLI to enable BLX managed host.

1. Open the `blx.conf` file by running the following command:

### Note:

You can use any text editor to edit the `blx.conf` file.

```
1 nano /etc/blx/blx.conf
```

2. Uncomment the `blx-managed-host` parameter and set it to 1.



```
1 blx-system-config
2 {
3
4     ...
5     blx-managed-host: 1
6     ...
7 }
```

3. Ensure that other parameters are commented in the `blx.conf` file.
4. Save the `blx.conf` file.
5. Restart BLX.

```
1 systemctl restart blx
```

After BLX restarts, you can use an SSH client to access the Linux host and BLX on the following IP addresses.

- Linux host - `<NSIP address>:9022`
- BLX - `<NSIP address>:22`

If you want SSH access to the Linux host on port 22, you can manually set different IP addresses for NSIP and the Linux host. For more information, see [Set different IP addresses for NSIP and the Linux host](#).

### Set different IP addresses for NSIP and the Linux host

In addition to the configuration mentioned in the previous section, you must use the `ipaddress` and `host-ipaddress` parameters to set different IP addresses for NSIP and the Linux host (Host IP).

You must use the Linux host CLI to enable SSH access on port 22.

1. Open the `blx.conf` file by running the following command:

**Note:**

You can use any text editor to edit the `blx.conf` file.

```
1 nano /etc/blx/blx.conf
```

2. Uncomment the `ipaddress` parameter and specify the NSIP address on which you want to access BLX.

```
1 blx-system-config
2 {
3
```

```

4     ...
5     ipaddress: <IP address>
6     ...
7 }

```

3. Uncomment the `host-ipaddress` parameter and specify the host IP address on which you want to access the Linux host.

**Note:**

The IP address must be in the NSIP subnet.

```

1 blx-system-config
2 {
3
4     ...
5     host-ipaddress: <IP address>
6     ...
7 }

```

4. Uncomment the `default` parameter and specify the default route.

```

1 static-routes
2 {
3
4     ...
5     default <gateway IP address>
6     ...
7 }

```

5. Save the `blx.conf` file.

6. Restart BLX.

```

1 systemctl restart blx

```

7. After BLX restarts, verify the Host IP address by running the `show nsip` command in the NetScaler CLI.

```

> show nsip

```

	IpAddress	Traffic	Domain	Type	Mode	Arp	Icmp	Vserver	State
1)		0		NetScaler IP	Active	Enabled	Enabled	NA	Enabled
2)		0		SNIP	Active	Enabled	Enabled	NA	Enabled
3)		0		Host IP	Active	Enabled	Enabled	NA	Enabled
4)		0		SNIP	Passive	Enabled	Enabled	NA	Enabled
5)		0		VIP	Passive	Enabled	Enabled	Enabled	Enabled

```

Done
>

```

You can use an SSH client to access the Linux host and BLX on the following IP addresses.

- Linux host - `<Host IP address>:22`
- BLX - `<NSIP address>:22`

## Configure nsdrv driver for NetScaler BLX in dedicated mode without DPDK support

February 1, 2024

NetScaler BLX bypasses the network stack of the Linux kernel, but there is an overhead in transferring packets between Linux kernel memory and user space memory. This overhead affects the overall performance of packet processing.

We recommend using the DPDK compatible NICs for high packet processing performance. For the list of DPDK-compatible NICs supported by BLX, see [Hardware requirements of Linux host](#).

If you do not have DPDK compatible NICs, you can use the `nsdrv` driver to improve the performance of packet processing without DPDK support.

The `nsdrv` driver owns all the interaction with the Linux kernel for packet reception and transmission. It also distributes the traffic to PEs. You can configure the `nsdrv` driver using the `nsdrv` parameter in the `blx.conf` file. The following table explains the possible values of the `nsdrv` parameter.

Possible value	Description
<code>nsdrv: 1</code>	One driver process is created for each dedicated port. Rx and Tx occur sequentially.
<code>nsdrv: 2</code>	One Rx process and one Tx thread are created for each dedicated port.
<code>nsdrv: 3</code>	One Rx process and 2 Tx threads are created for each dedicated port.

To use the `nsdrv` driver, the Linux host must have at least **n** number of cores based on the following calculation.

$$n \geq WP + (INT * P) + 1$$

Where:

- **WP** - Number of worker processes (packet engines) for BLX. The `worker-processes` parameter in the `blx.conf` file specifies the number of packet engines for BLX.
- **INT** - Number of dedicated Linux host NIC ports for BLX. The `interface` parameter in the `blx.conf` file specifies the Linux host NIC ports dedicated to BLX.
- **P** - Number of `nsdrv` driver processes for BLX. The `nsdrv` parameter in the `blx.conf` file specifies the number of `nsdrv` driver processes.

**Example:** BLX with the following configuration must have at least 10 cores:

- **WP** = 3 packet engines
- **INT** = 2 dedicated interfaces
- **P** = 3 `nsdrvd` processes

$$n = WP + (INT * P) + 1 = (3 + 2 * 3 + 1) = 10$$

## Prerequisites

- Ensure that BLX is configured in dedicated mode. For configuration procedure, see [Configure BLX in dedicated mode](#).
- Ensure that the dedicated NIC ports are not listed in the DPDK-compatible NICs supported by BLX. For more information, See [Hardware requirements of Linux host](#).

## Enable nsdrvd driver

You must use the Linux host CLI to enable the `nsdrvd` driver.

1. Open the `blx.conf` file by running the following command:

**Note:**

You can use any text editor to edit the `blx.conf` file.

```
1 nano /etc/blx/blx.conf
```

2. Uncomment the `nsdrvd` parameter and set the value to 1, 2, or 3.

```
1 blx-system-config
2 {
3
4     ...
5     nsdrvd: <number of process>
6     ...
7 }
```

3. Save the `blx.conf` file.
4. Restart BLX.

```
1 systemctl restart blx
```

After BLX restarts, `nsdrvd` driver is enabled on the BLX.

## Disable nsdrvd driver

You must use the Linux host CLI to disable the `nsdrvd` driver.

1. To disable the `nsdrvd` driver, comment the `nsdrvd` parameter in the `blx.conf` file.

```
1 blx-system-config
2 {
3
4     ...
5     # nsdrvd: 2
6     ...
7 }
```

2. Restart BLX.

```
1 systemctl restart blx
```

After BLX restarts, the `nsdrvd` driver is disabled on the BLX.

## Start NetScaler BLX

August 20, 2024

NetScaler BLX is an application that runs on the Linux host. After you install and configure BLX, you must start BLX by running the following command in the Linux host CLI:

```
1 systemctl start blx
```

### Note:

- BLX might take up to 45 seconds to start.
- BLX deployed on Red Hat based Linux host might not start or function properly if the `SELinux` policy is enabled on the Linux host.

**Workaround:** Disable `SELinux` on the Linux host:

1. Open the `SELinux` configuration file on the Linux host using the command `nano /etc/selinux/config`.
2. Set `SELINUX=disabled` and save the file.
3. Restart BLX using the command `systemctl restart blx`.

## Verify the status of NetScaler BLX

- You can check the status of BLX by running the following command in the Linux host CLI:

```
1 systemctl status blx
```

The status of BLX must be **active (exited)**.

```
[root@blx-rpm ~]# systemctl status blx
● blx.service - BLX service
   Loaded: loaded (/usr/lib/systemd/system/blx.service; enabled; vendor preset: disabled)
   Active: active (exited) since Thu 2023-12-14 06:10:53 UTC; 1 weeks 0 days ago
     Process: 4178485 ExecStart=/root/.blx/blx-pre-start.sh (code=exited, status=0/SUCCESS)
     Process: 4178483 ExecStartPre=/bin/bash -c ${CHCON} (code=exited, status=0/SUCCESS)
     Process: 4178138 ExecStartPre=/usr/sbin/blx-helper.sh (code=exited, status=0/SUCCESS)
    Main PID: 4178485 (code=exited, status=0/SUCCESS)
       Tasks: 0 (limit: 23565)
      Memory: 0B
      CGroup: /system.slice/blx.service
```

- To check the NetScaler processes running on the Linux host, run the following command in the Linux host CLI:

```
1 ps aux | grep ns
```

### Note:

Ensure that the **nspppe** process is running on the Linux host.

**Example:** `root 68332 2.7 5.5 485264 442084 ? Ss 16:25 0:02 /usr/sbin/nspppe 1`

## Stop NetScaler BLX

To stop BLX and associated processes, run the following command in the Linux host CLI:

```
1 systemctl stop blx
```

### Note:

When you restart the Linux host, BLX starts automatically after the Linux host restarts even if you have stopped it before the restart. You must run the `systemctl disable blx` command to stop BLX from starting automatically after a restart of the Linux host.

## Next step

- [Access NetScaler BLX and configure NetScaler features](#)

## Access NetScaler BLX and configure NetScaler features

August 19, 2024

You can access NetScaler BLX using one of the following methods:

- NetScaler CLI
- NetScaler GUI
- NetScaler NITRO REST APIs

### Before you begin

- Make sure that BLX is up and running on the Linux host. For more information on how to start BLX, see [Start BLX](#).

### Password requirements

- When you log in with the default admin (`nsroot`) password for the first time, BLX prompts you to change the password for security reasons. After changing the password, you must save the configuration. If the configuration is not saved and the BLX restarts, you must log in with the default password again.
- Strong password enforcement is enabled by default in BLX for all local system users. The default minimum length for a strong password is four characters. A strong password must contain the following:
  - One lower case character.
  - One upper case character.
  - One numeric character.
  - One special character from the set (!, @, #, (, ), \$, %, ^, &, and \*).

#### Note:

Make sure that the password for each system user of BLX matches the strong password criteria.

- For more information on the strong password criteria, see [How to enforce password complexity on NetScaler](#).

### Access NetScaler BLX and configure NetScaler features using the NetScaler CLI

BLX has a command line interface (CLI) where you can run NetScaler CLI commands to configure NetScaler features on BLX.

You can remotely access the BLX by connecting through the secure shell (SSH) from a workstation. The following table lists the IP address and port on which the NetScaler CLI is available through SSH:

BLX deployment mode	IP address and port to access NetScaler CLI through SSH
Dedicated	<NetScaler IP address (NSIP)>:22
Shared	<Linux host IP address>:9022

**To access NetScaler BLX by using the NetScaler CLI:**

1. Open an SSH client from your workstation.
2. Specify the IP address and port on which the CLI of BLX is available and connect to the CLI.
3. Log in to BLX using your BLX login credentials.

For more information about NetScaler CLI commands, see the [NetScaler Command Reference Guide](#).

**Access NetScaler BLX and configure NetScaler features using the NetScaler GUI**

The NetScaler GUI includes a configuration utility and a dashboard utility.

The following table lists the default IP address and port on which the NetScaler GUI is available:

BLX deployment mode	Access type	IP address and port to access NetScaler GUI
Dedicated	HTTP	<NetScaler IP address (NSIP)>:80
Dedicated	HTTPS	<NetScaler IP address (NSIP)>:443
Shared	HTTP	<Linux host IP address>:9080
Shared	HTTPS	<Linux host IP address>:9443

You can modify these default port numbers in the `blx.conf` file. You must restart the BLX after you modify the `blx.conf` file.



**Note:**

- In shared mode, you cannot change the default management port numbers of HTTP and HTTPS using the `set ns param` command.
- In dedicated mode, you can change the default management port numbers of HTTP and HTTPS using the `set ns param` command. But, when you use the `unset ns param` or `clear config full` command, the default port numbers are not restored.

The NetScaler GUI prompts you for BLX login credentials. After you log in to the GUI, you can configure NetScaler features using the NetScaler GUI.

### Access NetScaler BLX using the GUI

1. Open a web browser.
2. Use one of the following access methods:
  - For HTTP access, type the following in the URL field: `<NetScaler BLX IP address (NSIP)>:<HTTP port>`
  - For HTTPS access, type the following in the URL field: `<NetScaler BLX IP address (NSIP)>:<HTTPS port>`
3. On the login page, enter your BLX login credentials and click **Login**.

### Access NetScaler BLX and configure NetScaler features using the NITRO APIs

You can use the NetScaler NITRO API to configure NetScaler features. NITRO exposes its functionality through Representational State Transfer (REST) interfaces. Therefore, NITRO applications can be developed in any programming language. Also, for applications that must be developed in Java or .NET or Python, NITRO APIs are exposed through relevant libraries that are packaged as separate Software Development Kits (SDKs).

Similar to the NetScaler GUI, the NITRO API requests must be sent to the HTTP or HTTPS port of the BLX management IP address.

### Access NetScaler BLX in dedicated mode

- To configure BLX in dedicated mode by using the NITRO API in a web browser, type:  
`http://<NetScaler BLX IP address (NSIP)>:<HTTP port>/nitro/v1/config/<resource-type>`

`https://<NetScaler BLX IP address (NSIP)>:<HTTPS port>/nitro/v1/config/<resource-type>`

- To retrieve statistics of BLX in dedicated mode by using the NITRO API in a web browser, type:

`http://<NetScaler BLX IP address (NSIP)>:<HTTP port>/nitro/v1/stats/<resource-type>`

`https://<NetScaler BLX IP address (NSIP)>:<HTTPS port>/nitro/v1/stats/<resource-type>`

### Access NetScaler BLX in shared mode

- To configure BLX in shared mode by using the NITRO API in a web browser, type:

`http://<Linux host IP address>:<HTTP port>/nitro/v1/config/<resource-type>`

`https://<Linux host IP address>:<HTTPS port>/nitro/v1/config/<resource-type>`

- To retrieve statistics of BLX in shared mode by using the NITRO API in a web browser, type:

`http://<Linux host IP address>:<HTTP port>/nitro/v1/stats/<resource-type>`

`https://<Linux host IP address>:<HTTPS port>/nitro/v1/stats/<resource-type>`

For more information about using the NetScaler NITRO API, see [NetScaler NITRO APIs](#).

### Next step

- [Configure NetScaler features](#)

## Set up NetScaler BLX cluster

October 7, 2024

NetScaler BLX cluster is a group of BLX instances working together as a single system. Each BLX instance is called a node. BLX cluster can have one instance or as many as 32 instances as nodes.

## Before you begin

- Ensure that you understand the NetScaler cluster feature. For more information, see [NetScaler Cluster](#).
- Ensure that the following configurations are present on the Linux host of all the BLX instances:
  - NTP is configured on each Linux host.

### Note:

- \* For information about configuring NTP on Oracle Linux, see the [Oracle Linux documentation](#).
- \* For information about configuring NTP on Ubuntu Linux, see the [Ubuntu Linux documentation](#).
- \* For information about configuring NTP on CentOS Linux, see the [CentOS Linux documentation](#).

- Logging and `rsyslog` settings are configured for BLX logs.
- Ensure that the core dump is enabled on all the BLX instances. For more information about enabling core dumps, see [Configure compressed core dumps for BLX](#).
- Cluster is supported only for BLX instances that are configured in dedicated mode.
- All general prerequisites of a NetScaler cluster apply to the BLX cluster.

### Note:

For more information about the general prerequisites for setting up a NetScaler cluster, see [General Prerequisites for NetScaler cluster](#).

- For information about the NetScaler features supported in a NetScaler BLX cluster, see [NetScaler features supportability matrix for NetScaler BLX cluster](#).
- For information about automating NetScaler deployments using Terraform, see:
  - [NetScaler Terraform provider on GitHub](#)
  - [NetScaler Terraform automation scripts on GitHub](#)
- BLX cluster setups are not supported in public cloud platforms. For example, AWS cloud.

## Limitations of a NetScaler BLX cluster

The BLX cluster has the following limitations:

- CLAG-based traffic distribution is not supported.
- All limitations of a standalone BLX apply to a BLX cluster as well.

For more information about the limitations of standalone BLX, see [BLX limitations](#).

## Set up NetScaler BLX cluster

To set up BLX cluster, follow the general procedure for setting up a NetScaler cluster at [NetScaler Cluster](#).

## Upgrade and downgrade

February 1, 2024

Each NetScaler BLX release offers new and updated features with increased functionality. We recommend you to upgrade BLX to the latest release to avail of the new features and bug fixes. A comprehensive list of enhancements, known issues, and bug fixes is included in the [release notes](#) accompanying every release announcement.

### Before you begin

- You must evaluate your organization's support agreement. Document the support agreement and contact details for support from NetScaler technical support or the NetScaler authorized partner.
- It is also important to understand the licensing framework and the types of licenses that can be used before upgrading. For more information, see [BLX licensing](#).
- You must check the [New and deprecated commands, parameters, and SNMP OIDs](#) topics.
- Back up the configuration files of BLX. For information on how to backup and restore, see [How to backup and restore your NetScaler to recover lost configuration](#).

**Note:**

For the more details on the list of files that are backed up, see the [List of backed up files](#).

- Upgrading or downgrading BLX is the same as Installation of BLX. The package manager of the Linux host manages the upgrade or downgrade operation based on the build numbers.
- If necessary, you can try upgrading or downgrading a BLX in a test environment.

## Upgrade NetScaler BLX

1. Download the BLX release package that you want to upgrade to. For more information, see [Download the BLX package on the Linux host](#).
2. Install the downloaded package using the Linux host CLI. For more information, see [Install BLX on a Debian-based Linux host](#) or [Install BLX on an RPM-based Linux host](#).

### Note:

If you have configured the BLX managed host, do the following steps before installing the downloaded package:

- Log in to the host IP address.
- Stop BLX using the `systemctl stop blx` command.
- Reconnect to host IP address.

## Downgrade NetScaler BLX

1. Download the BLX release package that you want to downgrade to. For more information, see [Download the BLX package on the Linux host](#).
2. Install the downloaded package using the Linux host CLI. For more information, see [Install BLX on a Debian-based Linux host](#) or [Install BLX on an RPM-based Linux host](#).

### Note:

- If you have configured the BLX managed host, do the following steps before installing the downloaded package:
  - Log in to the host IP address.
  - Stop BLX using the `systemctl stop blx` command.
  - Reconnect to host IP address.

3. For BLX managed host configured using the auto-configuration feature, when you downgrade BLX from version 13.1 build 45.64 or later to version 13.1 build 42.47 or earlier, do the following steps:
  - a) Open the `blx.conf` file in the directory `/etc/blx/`.
  - b) Uncomment the `interfaces` parameter and specify the interfaces that you want to dedicate to BLX in the `blx.conf` file.
  - c) Uncomment the `ip-address` parameter and specify the NSIP address for BLX.
  - d) Uncomment the `default` parameter and specify the default route for BLX.
  - e) Save the `blx.conf` file.
  - f) Restart BLX using the `systemctl restart blx` command.

## Verify entity status on NetScaler BLX after the upgrade or downgrade

After BLX is upgraded or downgraded, verify the following:

- Virtual servers are in UP state
- Monitors are in UP state
- All certificates are present on BLX
- All the licenses are present on BLX

## FAQs

September 23, 2024

### What is NetScaler BLX?

NetScaler BLX is a bare metal software version of NetScaler that runs as a native application on the Linux host. For more information, see [About NetScaler BLX](#).

### Why is there a need for NetScaler BLX?

NetScaler BLX is a bare metal version of NetScaler, which provides simplicity with no virtual machine overhead for better performance. Also, you can run NetScaler BLX on your preferred server hardware. For more information, see [Why NetScaler BLX?](#)

### What is the difference between NetScaler BLX, CPX, and VPX?

NetScaler BLX, CPX, and VPX are software form factors of NetScaler.

NetScaler VPX is a virtual appliance and must run on a hypervisor installed on the server.

NetScaler CPX is a containerized version of NetScaler, which must run in a container.

NetScaler BLX is a software package that runs natively on Linux systems.

### When to use NetScaler BLX?

NetScaler VPX, CPX, and NetScaler BLX represent the most comprehensive, software-centric ADC lineup in the industry for supporting the transition to hybrid multi-cloud. The following table gives guidance on the differences and use cases.

<b>Product</b>	<b>Use Cases</b>	<b>Characteristics</b>
NetScaler VPX (runs on a hypervisor)	Virtualization of hardware infrastructure, consolidation of workloads over common infrastructure	Hardware and OS agnostic, full isolation, and support for multitenancy
NetScaler CPX (runs in a container)	DevOps, micro-services, automated staging, testing, and deployment, East-West traffic	Lightweight, small footprint, API gateway functions, micro-service centric, authentication
NetScaler BLX (runs on bare metal servers)	High traffic load, mission-critical applications, latency-sensitive workload, North-South traffic	Native linux software package and no VM overhead

---

### **What difference does the absence of a hypervisor or container make?**

With no hypervisor translation layer or container, NetScaler BLX software has more control of the underlying hardware, resulting in better performance. Also, there are no additional costs for hypervisor software.

### **Can I run NetScaler BLX on any server hardware?**

Yes, you can run NetScaler BLX on any server hardware. However, for higher performance, we recommend using DPDK-compatible NICs that are supported by BLX. For more information about hardware requirements, see [Hardware requirements of Linux host](#).

### **How can I deploy NetScaler BLX on a Linux server?**

You can deploy NetScaler BLX on any Linux server that supports one of the following package distribution.

- `.rpm` (RPM-based package)
- `.deb` (Debian-based package)

For information about deploying BLX, see [Deploy NetScaler BLX](#).

### **Can I automate the NetScaler BLX software deployment?**

Yes, you can use any software deployment tool that supports `.rpm` or `.deb` package to deploy NetScaler BLX.

For example, you can use Terraform to deploy BLX. For more information, see [NetScaler BLX Deployment using Terraform](#).

### **If NetScaler BLX is installed on a server with Linux OS, can I install other standard Linux packages or applications on the same server?**

Yes, other standard Linux packages or applications can run alongside NetScaler BLX.

### **How can I buy a NetScaler BLX License?**

By default, NetScaler BLX comes with an express license. You can try BLX without any cost.

After you're satisfied with the product, you can upgrade to a subscription-based local license or a NetScaler pooled capacity license.

For more information about BLX licensing, see [NetScaler BLX licensing](#).

### **Can I use the current NetScaler VPX license for NetScaler BLX?**

Yes, you can use the current VPX license for NetScaler BLX. For more information, see [NetScaler BLX licensing](#).

### **Can I deploy NetScaler BLX in one-arm and two-arm modes?**

Yes, you can deploy NetScaler BLX in either one-arm or two-arm mode. For more information, see [Physical deployment modes](#).

### **Which network stack does NetScaler BLX use?**

NetScaler BLX in dedicated mode uses its own network stack. For more information about NetScaler BLX architecture, see [General architecture](#).

### **Does NetScaler BLX support high availability?**

High availability is supported for NetScaler BLX only in dedicated mode. For more information about high availability setup, see [High Availability](#).



### **Can I set up a high availability pair between NetScaler BLX and NetScaler VPX or CPX?**

No, you cannot set up a high availability pair between NetScaler BLX and VPX or CPX.

### **Can I run NetScaler BLX on a virtualized Linux machine with DPDK?**

Yes, you can run NetScaler BLX on a virtualized Linux machine.

### **Can I run NetScaler BLX on the ARM platform?**

No, NetScaler BLX is supported only on Intel or AMD x86-64 (64-bit) Linux platforms.

### **What is the management IP address of NetScaler BLX?**

The NSIP address is the management IP address of NetScaler BLX. It is configured using the `ipaddress` parameter in the `blx.conf`.

If you have configured BLX managed host without specifying the NSIP address in the `ipaddress` parameter, the Linux host IP is automatically added as the NSIP address to BLX.

## **Troubleshooting**

February 1, 2024

### **I modified the `ipaddress` (NSIP) in the `blx.conf` file, but NetScaler BLX continues to use the old NSIP address**

The management IP address of NetScaler BLX in dedicated mode is always the IP address set in the `ipaddress` parameter of the `blx.conf` file unless configured using one of the following ways:

- **NetScaler BLX CLI:** Run the `set ns config` command in the NetScaler BLX CLI and change the management IP address. The configuration changes made are saved in the NetScaler BLX saved configuration file (`/nsconfig/ns.conf`).
- **NetScaler BLX GUI:** On the Configuration utility screen of the NetScaler BLX GUI, click the gear icon on the top-right corner, click the **NSIP address** pane, and change the management IP address.

The configuration changes made are saved in the NetScaler BLX saved configuration file (`/nsconfig/ns.conf`).

The changes in the `ns.conf` file always take precedence over the `blx.conf` file.

### **I started NetScaler BLX using the `systemctl start blx` command, but boot up is failing**

- Look for logs related to the NetScaler BLX configuration file (`/etc/blx/blx.conf`) parsing error in the NetScaler BLX boot log file (`/var/log/blx-boot.log`).
- Look for crash-related logs or any error logs in the SYSLOG file (`/var/log/messages`).

### **NetScaler BLX does not come up with DPDK ports**

- Ensure that the ports specified in the `interfaces` parameter of the `blx.conf` file are NetScaler BLX supported DPDK ports. For DPDK ports supported by NetScaler BLX, see [Hardware requirements of Linux host](#).

## **NetScaler BLX limitations and usage guidelines**

October 16, 2024

The following limitations and usage guidelines are related to NetScaler BLX.

### **High availability**

- High availability is not supported in any public cloud platform, such as Amazon Web Services (AWS) and Oracle Cloud Infrastructure (OCI).
- High availability is not supported if the `ns:internal` user login is disabled.
- High availability is supported only in dedicated mode.

### **NetScaler BLX cluster**

- CLAG-based traffic distribution is not supported.

### **LA and LACP channels**

- LA/LACP channels are not supported in shared mode.

- LA/LACP channels are supported only between the dedicated NIC interfaces or DPDK NIC interfaces.
- LA/LACP channels are not supported for `blx1` and `ns1` virtual interfaces.

## SNMP

- SNMP is supported only for BLX in dedicated mode.

## Web application firewall

- Web application firewall (WAF) is supported only for NetScaler BLX in dedicated mode

## NetScaler BLX with DPDK ports

- BLX with DPDK ports might fail to start if the Linux host is running on some older CPU models, such as Intel(R) Xeon(R) CPU E5-2690 v4 @ 2.60 GHz and CPU E5504 @ 2.00 GHz.
- The Linux host might crash if you unbind NIC ports bound to the DPDK module when BLX is running.
- BLX with DPDK ports takes a little more time to restart than BLX without DPDK ports.
- All DPDK-bound Linux ports are automatically dedicated to BLX and cannot be used for other DPDK Linux applications.
- For VMXNET3 DPDK ports supported by BLX, you must specify the number of worker processes in the power of 2 ( $2^n$ ). For example, 1, 2, 4, 8, and so on.
- BLX supports trunk mode or VLAN tagging only for DPDK ports.

## Mellanox ports

- BLX supports only one type of DPDK port at a time. For example, either all Mellanox ports or all Intel ports.
- BLX supports only the MLX5 DPDK driver for Mellanox ports.
- For more information about the MLX5 DPDK driver and its limitations, see the official [MLX5 DPDK documentation](#).
- For more information about Mellanox NICs and its limitations, see the official [Mellanox documentation](#).

## Other limitations and guidelines

- When you set the host name of BLX using the `set ns hostname` command, the host name of the Linux host is also changed.
- When you restart BLX configured with the BLX managed host feature, all the active SSH sessions to the Linux host are closed. To restore the connection, you must retry connecting to the host.
- In dedicated mode, the management HTTP or HTTPS port (`mgmt-http-port` or `mgmt-https-port`) specified in the `blx.conf` file is ignored. By default, 80 and 443 port numbers are dedicated for HTTP and HTTPS management access. To change these ports for BLX in dedicated mode, you must use the following NetScaler CLI command:

```
set ns param (-mgmthttpport <value> | -mgmthttpsport <value>)
```

**Example:** The following command changes the management HTTP port to 2080.

```
set ns param -mgmthttpport 2080
```

- If the firewall is enabled on the Linux host, you might have to add exceptions for the BLX management and SYSLOG ports.
- BLX might take up to 45 seconds to start.
- BLX configuration is stored in the `/nsconfig/ns.conf` file. For the configuration to be available across sessions, you must save the configuration after every configuration change.

- **To view the running configuration by using the NetScaler CLI**

At the command prompt, type the following:

```
show ns runningConfig
```

- **To save configurations by using the NetScaler CLI**

At the command prompt, type the following:

```
save ns config
```

- BLX configuration in `/nsconfig/ns.conf` takes precedence over the configuration in the `/etc/blx/blx.conf` file.
- BLX does not start if the memory allocated is less than 1 GB per worker process.
- When you install BLX, the `ip_forward` parameter is set to 1 on the Linux host.
- After you uninstall BLX, the configuration file (`blx.conf`) is retained and backed up as `blx.conf.rpmsave`. To apply this backup configuration file to a newly installed BLX on the same Linux host, you must manually rename the file back to `blx.conf`.
- We do not recommend running BLX on the following Ubuntu version because BLX might run into some packet drop-related issues.

Ubuntu version 16.04.5 with kernel version 4.4.0-131-generic

- BLX supports a maximum of nine NIC ports (DPDK NIC ports, non-DPDK NIC ports, or a combination of both).
- BLX deployed on Red Hat based Linux host might not start or function properly if the following condition is met:
  - SELinux policy is enabled on the Linux host. SELinux prevents the `systemd` process from running some BLX system files.

**Workaround:** Disable SELinux on the Linux host.

### Unsupported NetScaler features in NetScaler BLX

- Admin partition
- Content optimization
- Custom monitors
- Hardware SSL offload
- Intermediate System-to-Intermediate System (IS-IS) routing protocol
- IPSec
- Jumbo frames
- Precision Time Protocol (PTP)
- Quality of Service (QoS)
- Routing Information Protocol (RIP)
- Routing Information Protocol Next Generation (RIPng)
- URL filtering



© 2024 Cloud Software Group, Inc. All rights reserved. This document is subject to U.S. and international copyright laws and treaties. No part of this document may be reproduced in any form without the written authorization of Cloud Software Group, Inc. This and other products of Cloud Software Group may be covered by registered patents. For details, please refer to the Virtual Patent Marking document located at <https://www.cloud.com/legal>. Citrix, the Citrix logo, NetScaler, and the NetScaler logo and other marks appearing herein are either registered trademarks or trademarks of Cloud Software Group, Inc. and/or its subsidiaries in the United States and/or other countries. Other marks are the property of their respective owner(s) and are mentioned for identification purposes only. Please refer to Cloud SG's Trademark Guidelines and Third Party Trademark Notices (<https://www.cloud.com/legal>) for more information.